



Solenoid Actuator Valve



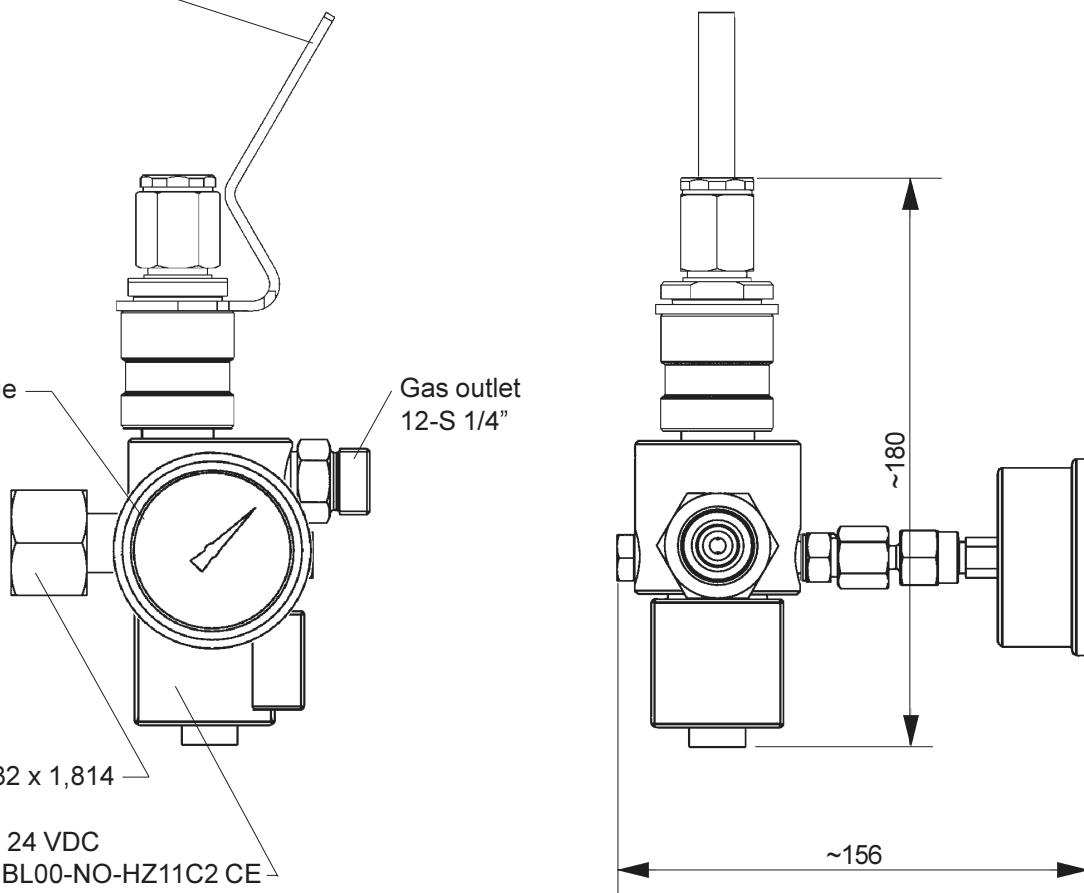
Manual release

Pressure gauge
Ø63 - 250 bar

Gas outlet
12-S 1/4"

Gas inlet
SFS 2292 24,32 x 1,814

Solenoid valve 24 VDC
type 71216J21BL00-NO-HZ11C2 CE



General	Body material	Brass, nickel plated
	Electric voltage	Solenoid valve 24 V DC (for hazardous areas)
	Max. working pressure	200 bar
Operation	<p>The valve is normally connected directly or via an adapter to an air or nitrogen cylinder. It is used to release the contents of the cylinder into a GPU, a water accumulator unit (MAU, DAU, KAU, ...) or an MT3 system or equivalent. Solenoid actuator valve is released either electrically or manually to allow the gas flow to the piping system.</p> <p>To monitor the gas cylinder pressure, the valve is equipped with a pressure gauge.</p> <p>Once released, the valve remains open as long as the gas flow occurs.</p>	